

R-410 – Zentron® Rovings



Zentron® Rovings are designed for filament winding, weaving, pultruding, or pre-impregnation applications requiring superior mechanical, physical, thermal and electrical properties that also take advantage of the single end (low catenary) construction.

General Product Specifications

Product Information

Product	758-AB-675		561-AB-675
Glass Type	S-2 Glass		S-2 Glass
Binder	758	758	561
Compatibility	Epoxy, PU	Epoxy, PU	PPS, PEEK, PEKK
Filament Diameter - microns	14	14	14
Package	4044	4144	4144
Yield (Yds/Lb)	671	671	671
Tex - g/1000 m	739	739	739
Tex Tolerance +/-	54	54	54
Nominal Solids %	0.65	0.65	0.25
Solids Tolerance +/-	0.29	0.29	0.09
Max. Moisture %	0.06	0.06	0.06
Package Density Nominal (lb/in ³)	0.068	0.068	NA
Package Density Tolerance	0.025	0.025	NA
Minimum Impregnated Strand Tensile Strength	Ksi	450	450
	MPa	3102	3102
			NA

Packaging Information

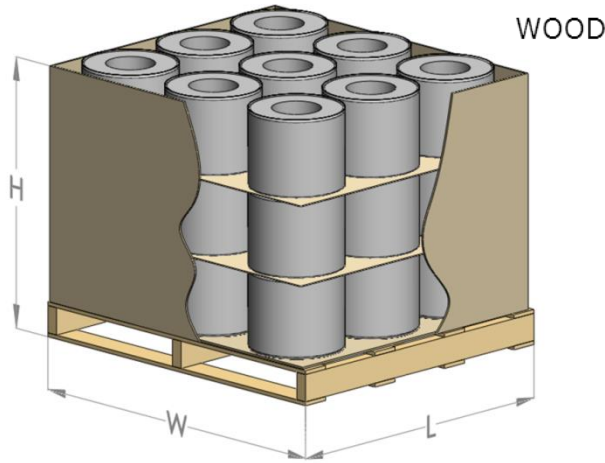
Package	4044	4144	4144
Nominal Package Weight - lb (kg)	15.5 (7.0)	15.5 (7.0)	30.0 (13.6)
Min Package Weight - lb (kg)	12.5 (5.7)	12.5 (5.7)	8.0 (3.6)

Rev 8, 3/23/18

R-410 – Zentron® Rovings

Nominal Packaging Dimensions

Product	Pallet	Bobbins / Layer	Layers / Carton	Cartons / Pallet	Bobbins / Pallet	L-in (cm)	W-in (cm)	H-in (cm)
Zentron	4144	12	3	1	36	46 (116.8)	32 (81.3)	39 (99.1)
	4044	20	3	1	60	45.5 (115.6)	45.5 (115.6)	37 (94)



Storage, Shelf Life and Handling

Storage and Shelf Life:

AGY recommends storing the materials in accordance with appropriate safety considerations, away from exposure to the elements and at 65-80F (18-27C) and 50-70% humidity. If the materials are stored under these conditions, they are stable, non reactive and will not degrade or exhibit negative characteristics for at least 3 years from the date of manufacture. Unused, unopened product older than this is likely still in good condition, however careful evaluation is recommended. Prior to use, pallets should be placed in the production area and any plastic wrap removed for a minimum of 24 hours to allow the material to acclimate to the processing environment. Special care should be given to pallets being moved from a cold environment into a warm, humid area as condensation may occur and this additional moisture can negatively impact the runability of the material, however, once the material has acclimated, this will no longer be an issue.

For product traceability reasons, the pallet label should be recorded or retained.

Handling:

Fiberglass products process best if temperature and humidity are controlled, primarily because this will help to control the buildup of static electricity, fuzz and fly. AGY recommends that the material be run at 70 +/- 5 degrees F and 60 +/- 5% RH.

Test Methods and Certificates

A copy of test methods and or a certificate of conformity may be issued upon request.

Packages will be firmly and evenly wound on the cardboard, and free from defects in workmanship. AGY accepts no responsibility for damaged material that shows any signs of physical abuse.

For additional product information, refer to PTS M-711

AGY – World Headquarters / Americas

2556 Wagener Road
 Aiken, South Carolina, USA 29801
 Phone: +(1) 888.434.0945 (toll free)
 +(1) 803.643.1501
 Fax: +(1) 803.643.1180
 Email: asktheexpert@agy.com

AGY – Europe

Le Gemellyon Nord
 57 Boulevard Marius Vivier Merle
 69003 Lyon, France
 Phone: +(33) 4727 81775
 Fax: +(33) 4727 81780

AGY – Asia

Suite 1306-8, Bldg. 1,
 No. 1628 Jinshajiang Rd.
 Shanghai 200333 China
 Phone: +(86) 21 3251 3871
 Fax: +(86) 21 3251 2839