

C-510 – S-2 Glass® Chop

S-2 Glass® chopped strand products are engineered for use in bulk and injection molding compounds for reinforcing both thermoplastic and thermoset systems as well as ceramics in slip casting operations.

General Product Specifications

Product Information

Product	SG37 544	SG37 553	SG75 401	SG75 402	SG75 463
Glass Type	S-2	S-2	S-2	S-2	S-2
Binder	544	553	401	Starch	463
Nominal Chop Length - in	5/32	5/32	1/4	1/2	5/32
Nominal Filament Diameter - μm	9	9	9	9	9
Filament Diameter Tolerance +/-	1.0	1.0	1.0	1.0	1.0
Nominal Solids - %	0.90	0.80	0.80	1.15	1.00
Solids Tolerance +/-	0.20	0.20	0.50	0.30	0.50
Nominal Chop Length - in (mm)	0.16 (4.0)	0.16 (4.0)	0.25 (6.4)	0.50 (12.7)	0.16 (4.0)
Chop Length Tolerance +/- in (mm)	0.04 (1.0)	0.02 (0.5)	0.04 (1.0)	0.04 (1.0)	0.04 (1.0)
Maximum Moisture - %	0.10	0.10	0.10	0.50	0.10

Packaging Information

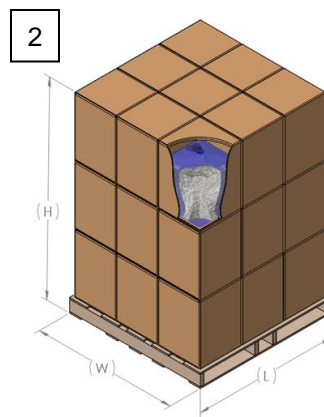
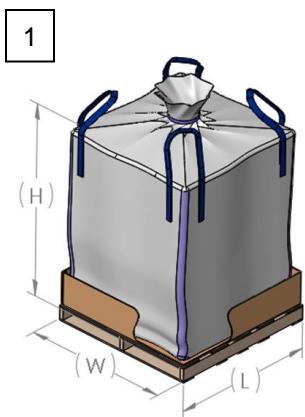
Package	Bulk Bag	Bulk Bag	Box	Box	Box
Nominal Package Weight - lb (kg)	2205 (1000)	2205 (1000)	50 (23)	50 (23)	50 (23)
Nominal Pallet Weight - lb (kg)	2205 (1000)	2205 (1000)	1350 (612)	1350 (612)	1350 (612)

Rev 11, 10.29.2020

C-510 – S-2 Glass® Chop

Nominal Packaging Dimensions

Fig	Product	Pallet	Weight / Bag lb (kg)	Bags / Box	Boxes / Layer	Layers / Pallet	Boxes / Pallet	L-in (cm)	W-in (cm)	H-in (cm)	Pallet Weight lb (kg)
1	SG37 544 5/32"	Wood	2205 (1000)	1	1	1	1	45.5 (115.6)	45.5 (115.6)	53.0 (134.6)	2205 (1000)
1	SG37 553 5/32"	Wood	2205 (1000)	1	1	1	1	45.5 (115.6)	45.5 (115.6)	53.0 (134.6)	2205 (1000)
2	SG75 401 1/4"	Wood	50 (23)	1	9	3	27	45.5 (115.6)	45.5 (115.6)	67.0 (170.2)	1350 (612)
2	SG75 402 1/4"	Wood	50 (23)	1	9	3	27	45.5 (115.6)	45.5 (115.6)	67.0 (170.2)	1350 (612)
2	SG75 463 5/32"	Wood	50 (23)	1	9	3	27	45.5 (115.6)	45.5 (115.6)	67.0 (170.2)	1350 (612)



Storage, Shelf Life and Handling

Storage and Shelf Life:

AGY recommends storing the materials in accordance with appropriate safety considerations, away from exposure to the elements and at 65-80F (18-27C) and 50-70% humidity. If the materials are stored under these conditions, they are stable, non reactive and will not degrade or exhibit negative characteristics for at least 3 years from the date of manufacture. Unused, unopened product older than this is likely still in good condition, however careful evaluation is recommended. Prior to use, pallets should be placed in the production area and any plastic wrap removed for a minimum of 24 hours to allow the material to acclimate to the processing environment. Special care should be given to pallets being moved from a cold environment into a warm, humid area as condensation may occur and this additional moisture can negatively impact the runability of the material, however, once the material has acclimated, this will no longer be an issue.

For product traceability reasons, the pallet label should be recorded or retained.

Handling:

Fiberglass products process best if temperature and humidity are controlled, primarily because this will help to minimize the buildup of static electricity, fuzz and fly. AGY recommends that the material be run at 70 +/- 5 degrees F (18-27C) and 60 +/- 5% RH.

Test Methods and Certificates

A copy of test methods and or a certificate of conformity may be issued upon request.

Chop product are chopped to exact specifications, and are free of contaminants such as clumps of fuzz and out of specification long chop. AGY accepts no responsibility for damaged material that shows any signs of physical abuse

For additional product information, refer to PTS M-712

AGY – World Headquarters / Americas

2556 Wagener Road
Aiken, South Carolina, USA 29801
Phone: +(1) 888.434.0945 (toll free)
+(1) 803.643.1501
Fax: +(1) 803.643.1180
Email: asktheexpert@agy.com

AGY – Europe

Le Gemellyon Nord
57 Boulevard Marius Vivier Merle
69003 Lyon, France
Phone: +(33) 4727 81775
Fax: +(33) 4727 81780

AGY – Asia

Suite 1306-8, Bldg. 1,
No. 1628 Jinshajiang Rd.
Shanghai 200333 China
Phone: +(86) 21 3251 3871
Fax: +(86) 21 3251 2839