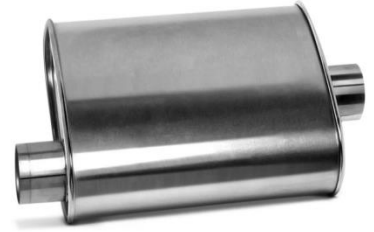


R-412 – Zentron[®] Muffler Fill



Zentron[®] Muffler Fill is specifically designed for high temperature muffler applications. It is packaged so that each of the individual roving packages are tied together and will run out as if it was one continuous end.

General Product Specifications

Product Information

Product	721B-AC-250	
Glass Type	S-2 Glass	
Binder	721	
Package	4044	
Filament Diameter - microns	24	
Yield (Yds/Lb)	241	
Tex - g/1000 m	2059	
Tex Tolerance +/-	262	
Nominal Solids %	0.43	
Solids Tolerance +/-	0.28	
Max. Moisture %	0.06	
Package Density Nominal (lb/in ³)	n/a	
Package Density Tolerance	n/a	
Minimum Impregnated Strand Tensile Strength	Ksi	n/a
	MPa	n/a

Packaging Information

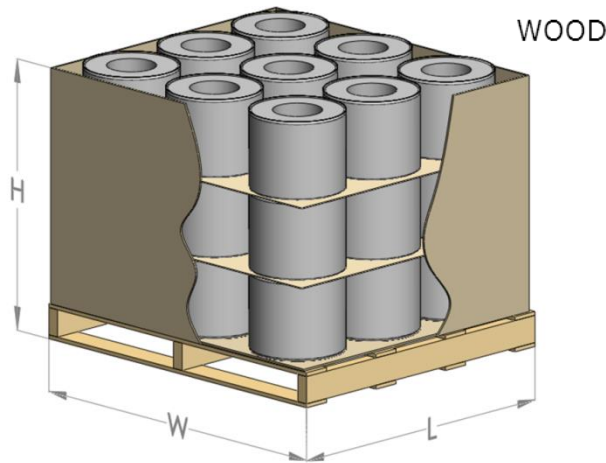
Package	4044
Nominal Package Weight - lb (kg)	72 (32.7)
Min Package Weight - lb (kg)	12.5 (5.7)

Rev 1, 3/23/2018

R-412 – Zentron[®] Rovings

Nominal Packaging Dimensions

Product	Pallet	Bobbins / Layer	Layers / Carton	Cartons / Pallet	Bobbins / Pallet	L-in (cm)	W-in (cm)	H-in (cm)
Zentron	4044 (72 lb. pkg.)	9	3	1	27	45.5 (115.6)	45.5 (115.6)	36.5 (92.7)



Storage, Shelf Life and Handling

Storage and Shelf Life:

AGY recommends storing the materials in accordance with appropriate safety considerations, away from exposure to the elements and at 65-80F (18-27C) and 50-70% humidity. If the materials are stored under these conditions, they are stable, non reactive and will not degrade or exhibit negative characteristics for at least 3 years from the date of manufacture. Unused, unopened product older than this is likely still in good condition, however careful evaluation is recommended. Prior to use, pallets should be placed in the production area and any plastic wrap removed for a minimum of 24 hours to allow the material to acclimate to the processing environment. Special care should be given to pallets being moved from a cold environment into a warm, humid area as condensation may occur and this additional moisture can negatively impact the runability of the material, however, once the material has acclimated, this will no longer be an issue.

For product traceability reasons, the pallet label should be recorded or retained.

Handling:

Fiberglass products process best if temperature and humidity are controlled, primarily because this will help to control the buildup of static electricity, fuzz and fly. AGY recommends that the material be run at 70 +/- 5 degrees F and 60 +/- 5% RH.

Test Methods and Certificates

A copy of test methods and or a certificate of conformity may be issued upon request.

Packages will be firmly and evenly wound on the cardboard, and free from defects in workmanship. AGY accepts no responsibility for damaged material that shows any signs of physical abuse.

For additional product information, refer to PTS M-711

AGY – World Headquarters / Americas

2556 Wagener Road
Aiken, South Carolina, USA 29801
Phone: +(1) 888.434.0945 (toll free)
+(1) 803.643.1501
Fax: +(1) 803.643.1180
Email: asktheexpert@agy.com

AGY – Europe

Le Gemellyon Nord
57 Boulevard Marius Vivier Merle
69003 Lyon, France
Phone: +(33) 4727 81775
Fax: +(33) 4727 81780

AGY – Asia

Suite 1306-8, Bldg. 1,
No. 1628 Jinshajiang Rd.
Shanghai 200333 China
Phone: +(86) 21 3251 3871
Fax: +(86) 21 3251 2839