

# C-510 – S-2 Glass® Chop

S-2 Glass® chopped strand products are engineered for use in bulk and injection molding compounds for reinforcing both thermoplastic and thermoset systems as well as ceramics in slip casting operations.

## General Product Specifications

### Product Information

Product	SG37 544	SG37 553	SG75 401	SG 402	SG75 463
Glass Type	S-2	S-2	S-2	S-2	S-2
Binder	544	553	401	Starch	463
Nominal Chop Length - in	<b>5/32</b>	<b>5/32</b>	<b>1/4</b>	<b>1/2</b>	<b>5/32</b>
Nominal Filament Diameter - μm	9	9	9	9	9
Filament Diameter Tolerance +/-	1.0	1.0	1.0	1.0	1.0
Nominal Solids - %	0.90	0.80	0.80	1.15	1.00
Solids Tolerance +/-	0.20	0.20	0.50	0.30	0.50
Nominal Chop Length - in (mm)	0.16 (4.0)	0.16 (4.0)	0.25 (6.4)	0.50 (12.7)	0.16 (4.0)
Chop Length Tolerance +/- in (mm)	0.04 (1.0)	0.02 (0.5)	0.04 (1.0)	0.04 (1.0)	0.04 (1.0)
Maximum Moisture - %	0.10	0.10	0.10	0.50	0.10

### Packaging Information

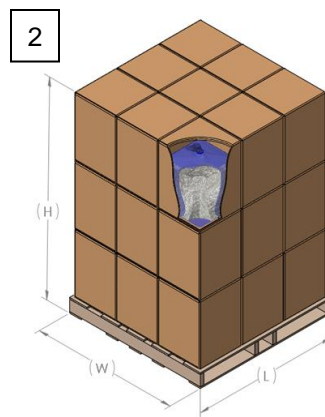
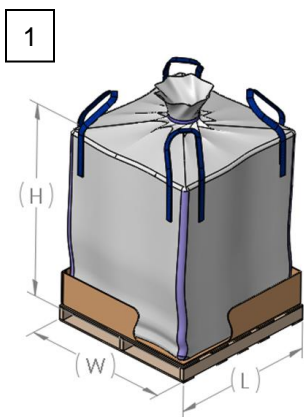
Package	Bulk Bag	Bulk Bag	Box	Box	Box
Nominal Package Weight - lb (kg)	2205 (1000)	2205 (1000)	50 (23)	50 (23)	50 (23)
Nominal Pallet Weight - lb (kg)	2205 (1000)	2205 (1000)	1350 (612)	1350 (612)	1350 (612)

Rev 12, 6.1.2021

# C-510 – S-2 Glass® Chop

## Nominal Packaging Dimensions

Fig	Product	Pallet	Weight / Bag lb (kg)	Bags / Box	Boxes / Layer	Layers / Pallet	Boxes / Pallet	L -in (cm)	W-in (cm)	H-in (cm)	Pallet Weight lb (kg)
1	SG37 544 5/32"	Wood	2205 (1000)	1	1	1	1	45.5 (115.6)	45.5 (115.6)	53.0 (134.6)	2205 (1000)
1	SG37 553 5/32"	Wood	2205 (1000)	1	1	1	1	45.5 (115.6)	45.5 (115.6)	53.0 (134.6)	2205 (1000)
2	SG75 401 1/4"	Wood	50 (23)	1	9	3	27	45.5 (115.6)	45.5 (115.6)	67.0 (170.2)	1350 (612)
2	SG 402 1/2"	Wood	50 (23)	1	9	3	27	45.5 (115.6)	45.5 (115.6)	67.0 (170.2)	1350 (612)
2	SG75 463 5/32"	Wood	50 (23)	1	9	3	27	45.5 (115.6)	45.5 (115.6)	67.0 (170.2)	1350 (612)



## Storage, Shelf Life and Handling

### Storage and Shelf Life:

AGY recommends storing the materials in accordance with appropriate safety considerations, away from exposure to the elements and at 65-80F (18-27C) and 50-70% humidity. If the materials are stored under these conditions, they are stable, non reactive and will not degrade or exhibit negative characteristics for at least 3 years from the date of manufacture. Unused, unopened product older than this is likely still in good condition, however careful evaluation is recommended. Prior to use, pallets should be placed in the production area and any plastic wrap removed for a minimum of 24 hours to allow the material to acclimate to the processing environment. Special care should be given to pallets being moved from a cold environment into a warm, humid area as condensation may occur and this additional moisture can negatively impact the runability of the material, however, once the material has acclimated, this will no longer be an issue.

For product traceability reasons, the pallet label should be recorded or retained.

### Handling:

Fiberglass products process best if temperature and humidity are controlled, primarily because this will help to minimize the buildup of static electricity, fuzz and fly. AGY recommends that the material be run at 70 +/- 5 degrees F (18-27C) and 60 +/- 5% RH.

## Test Methods and Certificates

A copy of test methods and or a certificate of conformity may be issued upon request.

Chop product are chopped to exact specifications, and are free of contaminates such as clumps of fuzz and out of specification long chop. AGY accepts no responsibility for damaged material that shows any signs of physical abuse

For additional product information, refer to PTS M-712

### AGY – World Headquarters / Americas

2556 Wagener Road  
 Aiken, South Carolina, USA 29801  
 Phone: +(1) 888.434.0945 (toll free)  
 +(1) 803.643.1501  
 Fax: +(1) 803.643.1180  
 Email: asktheexpert@agy.com

### AGY – Europe

Le Gemellyon Nord  
 57 Boulevard Marius Vivier Merle  
 69003 Lyon, France  
 Phone: +(33) 4727 81775  
 Fax: +(33) 4727 81780

### AGY – Asia

Suite 1306-8, Bldg. 1,  
 No. 1628 Jinshajiang Rd.  
 Shanghai 200333 China  
 Phone: +(86) 21 3251 3871  
 Fax: +(86) 21 3251 2839