

Engineered Chop



Fiberglass is a natural, lustrous, white fiber that AGY produces in either a yarn, roving or chop form. The filaments are smooth, non-cellular and generally cylindrical in form and with the exception of the inorganic sizing, are non-combustible.

General Product Properties

Product nomenclature is based on the industry standards established by ASTM D578, and are produced in an ISO 9001:2008 certified facility. The basic format for this nomenclature is, for example:

SG37 553 5/32 INCH 2204lb Bulk Bag

Where.

S = Glass composition (S= High Strength, E=Electrical)

G = Filament diameter

37 = Yield designation

5/32 INCH = Nominal length of the chopped fiber

2204lb Bulk Bag = Packaging type

In general, the sizing on the various products can be burned off under certain conditions. Weather tests have indicated comparatively unlimited stability under repeated cycles of heat, cold, sunlight, dampness and drying.

AGY chopped fibers shall be free of:

Contamination caused by foreign substances

Clumps of fuzz

Out of spec chop lengths

Damaged material

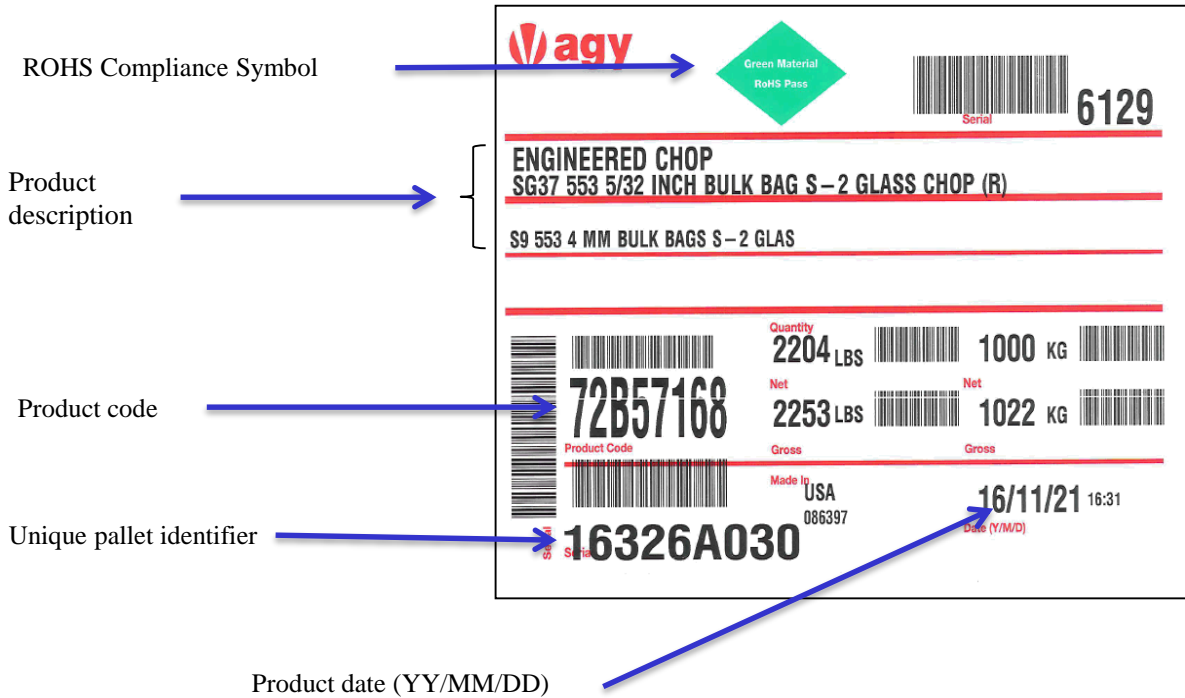
AGY accepts no responsibility for any damaged material that is contained in a carton or super sac that shows any evidence of physical abuse.

Chop length tolerances for engineered chop products is +/- 1mm (+/- 0.04 inches), based on average chop length.

Each carton or super sac shall have a content label that appropriately identifies the contents.

Engineered Chop

Labeling



Test Methods and Certificates

A copy of test methods and or a certificate of conformity may be issued upon request.

AGY certifies that all of the AGY products are in compliance with the current REACH and RoHS requirements. Specific details pertaining to these regulations are available upon request.

Property	Test Method
Binder Solids Content	W-07Ea
Moisture Content	W-07Ea

AGY – World Headquarters / Americas
 2556 Wagener Road
 Aiken, South Carolina, USA 29801
 Phone: +(1) 888.434.0945 (toll free)
 +(1) 803.643.1501
 Fax: +(1) 803.643.1180
 Email: asktheexpert@agy.com

AGY – Europe
 Le Gemellyon Nord
 57 Boulevard Marius Vivier Merle
 69003 Lyon, France
 Phone: +(33) 4727 81775
 Fax: +(33) 4727 81780

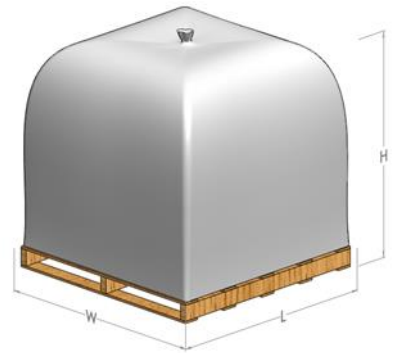
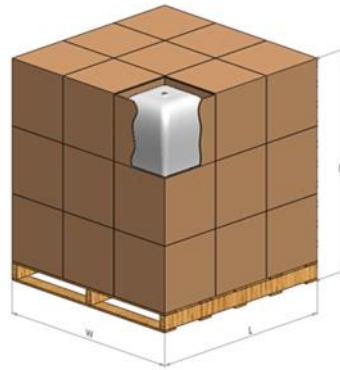
AGY – Asia
 Suite 1306-8, Bldg. 1,
 No. 1628 Jinshajiang Rd.
 Shanghai 200333 China
 Phone: +(86) 21 3251 3871
 Fax: +(86) 21 3251 2839

Packaging Specifications

Chop Package Dimensions

Package	50lb Box		Super Sac	
	US (in)	SI (cm)	US (in)	SI (cm)
Measurement Units				
Box / Bag size (LxWxH)	14.25 x 14.25 x 20.5	36.2 x 36.2 x 52	45 x 45 x 54	114.3 x 114.3 x 137.2
Boxes / Bags per layer	3		1	
Layers per pallet	9		1	
Boxes / Bags per pallet	27		1	
Pallet Dimensions (LxWxH)	45 x 45 x 67	114.3 x 114.3 x 170.2	45 x 45 x 54	114.3 x 114.3 x 170.2
Pallet Weights (lb / kg)	1350	612	2204	2000

Rev. 5, 11/5/2019



Storage, Shelf Life and Handling

Storage and Shelf Life:

AGY recommends storing the materials in accordance with appropriate safety considerations, away from exposure to the elements and at 65-80F (18-27C) and 50-70% humidity. If the materials are stored under these conditions, they are stable, non reactive and will not degrade or exhibit negative characteristics for at least 3 years from the date of manufacture. Unused, unopened product older than this is likely still in good condition, however careful evaluation is recommended. Prior to use, pallets should be placed in the production area and any plastic wrap removed for a minimum of 24 hours to allow the material to acclimate to the processing environment. Special care should be given to pallets being moved from a cold environment into a warm, humid area as condensation may occur and this additional moisture can negatively impact the runability of the material, however, once the material has acclimated, this will no longer be an issue.

For product traceability reasons, the pallet label should be recorded or retained.

Handling:

Fiberglass products process best if temperature and humidity are controlled, primarily because this will help to control the buildup of static electricity, fuzz and fly. AGY recommends that the material be run at 70 +/- 5 degrees F and 60 +/- 5% RH.

AGY – World Headquarters / Americas

2556 Wagener Road
Aiken, South Carolina, USA 29801
Phone: +(1) 888.434.0945 (toll free)
+(1) 803.643.1501
Fax: +(1) 803.643.1180
Email: asktheexpert@agy.com

AGY – Europe

Le Gemellyon Nord
57 Boulevard Marius Vivier Merle
69003 Lyon, France
Phone: +(33) 4727 81775
Fax: +(33) 4727 81780

www.agy.com

AGY – Asia

Suite 1306-8, Bldg. 1,
No. 1628 Jinshajiang Rd.
Shanghai 200333 China
Phone: +(86) 21 3251 3871
Fax: +(86) 21 3251 2839