

# Y-260 – Beta and Sewing Thread

Beta and Sewing Thread products are used for sewing and small diameter tying operations where a high temperature, inorganic, flexible, and high strength thread is required.

## General Product Specifications

### Product Information

Product	ECBC150				BC-4	BC-6	BC-8
	E				E	E	E
Glass Type	E				E	E	E
Filament Diameter - µm	4	4	4	4	4	4	4
Binder	636	636	636	636	636	636	636
Bobbin	7636	7636	9228	9228	8542	8542	8542
Plies	1/0	1/0	2/0	4/0	2/2	2/3	2/4
Nominal Yield - yd/lb	14,900	14,900	7,450	3,700	3,550	2,330	1,730
Tex - g/1000 m	33.30	33.30	66.60	134.10	139.70	212.90	286.70
Tex Tolerance +/-	3.60	3.60	1.80	2.50	5.00	6.40	7.20
Nominal Solids - %	1.45	1.45	1.45	1.45	1.45	1.45	1.45
Solids Tolerance +/-	0.25	0.25	0.25	0.25	0.25	0.25	0.25
Nominal Twist - TPI (TPM)	1.0Z (Z40)	3.0Z (Z120)	3.0Z (Z120)	3.0Z (Z120)	9.6Z (Z384)	9.1Z (Z364)	8.3Z (Z332)
Twist Tolerance +/- TPI (TPM)	0.30 (12)	0.60 (24)	0.60 (24)	0.60 (24)	0.96 (38)	0.91 (36)	0.83 (33)
Maximum Broken Filaments*	50	50	50	50	50	50	50
Minimum Tensile** - lb (N)	4.0 (17.8)	4.0 (17.8)	8.0 (35.6)	16.0 (71.2)	13.0 (57.8)	20.0 (89.0)	25.0 (111.2)

\* Broken filaments based on average 360° count

\*\* Average of 5 measurements per bobbin

### Nominal Product Characteristics

(For reference only, not specified or controlled)

Average Bare Glass Tensile* - lb (N)	5.2 (23.1)	5.2 (23.1)	10.1 (44.9)	20.3 (90.3)	27.4 (121.9)	33.7 (149.9)	90.3 (401.7)
Approximate Yarn Diameter - in (mm)	0.0080 (0.203)	0.0080 (0.203)	0.0097 (0.246)	0.0137 (0.348)	0.0140 (0.356)	0.0170 (0.432)	0.0200 (0.508)

\* Average tensile per bobbin

### Packaging Information

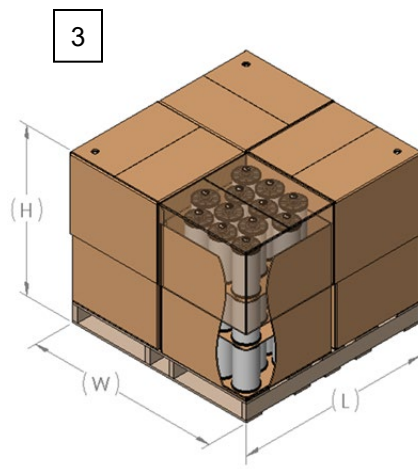
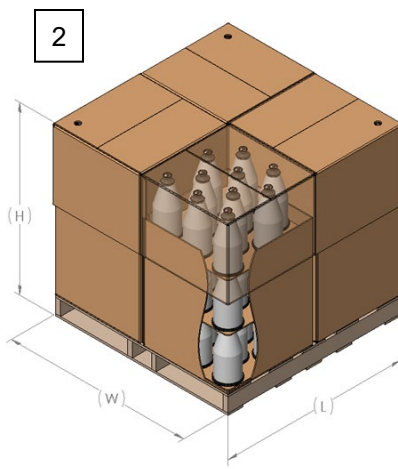
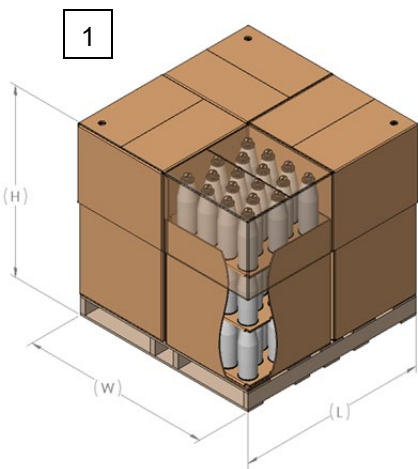
Bobbin	7636	7636	9228	9228	8542	8542	8542
Nominal Bobbin Weight - lb (kg)	3.8 (1.76)	3.8 (1.76)	8.0 (3.63)	8.0 (3.63)	8.0 (3.63)	8.0 (3.63)	8.0 (3.63)
Minimum Bobbin Weight - lb (kg)	2.0 (0.91)	2.0 (0.91)	2.0 (0.91)	2.0 (0.91)	0.50 (0.23)	0.50 (0.23)	0.50 (0.23)
Metered Bobbin Length - yd (m)	56,300 (51,400)	56,300 (51,400)	58,400 (53,400)	27,700 (25,300)	N/A	N/A	N/A
Metered Ratio - %	70	70	70	70	N/A	N/A	N/A

Rev 11, 4.9.2021

# Y-260 – Beta and Sewing Thread

## Nominal Packaging Dimensions

Fig	Bobbin	Pallet	Bobbins / Layer	Layers / Carton	Cartons / Pallet	Bobbins / Pallet	L-in (cm)	W-in (cm)	H-in (cm)
1	7636	Wood	18	3	4	216	45.5 (115.6)	45.5 (115.6)	45.5 (115.6)
2	8542	Wood	10	3	4	120	45.5 (115.6)	45.5 (115.6)	43.5 (110.5)
3	9228	Wood	12	3	4	144	45.5 (115.6)	45.5 (115.6)	38.5 (97.8)



## Storage, Shelf Life and Handling

### Storage and Shelf Life:

AGY recommends storing the materials in accordance with appropriate safety considerations, away from exposure to the elements and at 65-80F (18-27C) and 50-70% humidity. If the materials are stored under these conditions, they are stable, non reactive and will not degrade or exhibit negative characteristics for at least 3 years from the date of manufacture. Unused, unopened product older than this is likely still in good condition, however careful evaluation is recommended. Prior to use, pallets should be placed in the production area and any plastic wrap removed for a minimum of 24 hours to allow the material to acclimate to the processing environment. Special care should be given to pallets being moved from a cold environment into a warm, humid area as condensation may occur and this additional moisture can negatively impact the runability of the material, however, once the material has acclimated, this will no longer be an issue.

For product traceability reasons, the pallet label should be recorded or retained.

### Handling:

Fiberglass products process best if temperature and humidity are controlled, primarily because this will help to minimize the buildup of static electricity, fuzz and fly. AGY recommends that the material be run at 70 +/- 5 degrees F (18-27C) and 60 +/- 5% RH.

## Test Methods and Certificates

A copy of test methods and or a certificate of conformity may be issued upon request.

Packages will be firmly and evenly wound on the bobbin, and free from defects in workmanship. AGY accepts no responsibility for damaged material that shows any signs of physical abuse.

For additional product information, refer to PTS M-710

**AGY – World Headquarters / Americas**  
 2556 Wagener Road  
 Aiken, South Carolina, USA 29801  
 Phone: +(1) 888.434.0945 (toll free)  
 +(1) 803.643.1501  
 Fax: +(1) 803.643.1180  
 Email: asktheexpert@agy.com

**AGY – Europe**  
 Le Gemellyon Nord  
 57 Boulevard Marius Vivier Merle  
 69003 Lyon, France  
 Phone: +(33) 4727 81775  
 Fax: +(33) 4727 81780